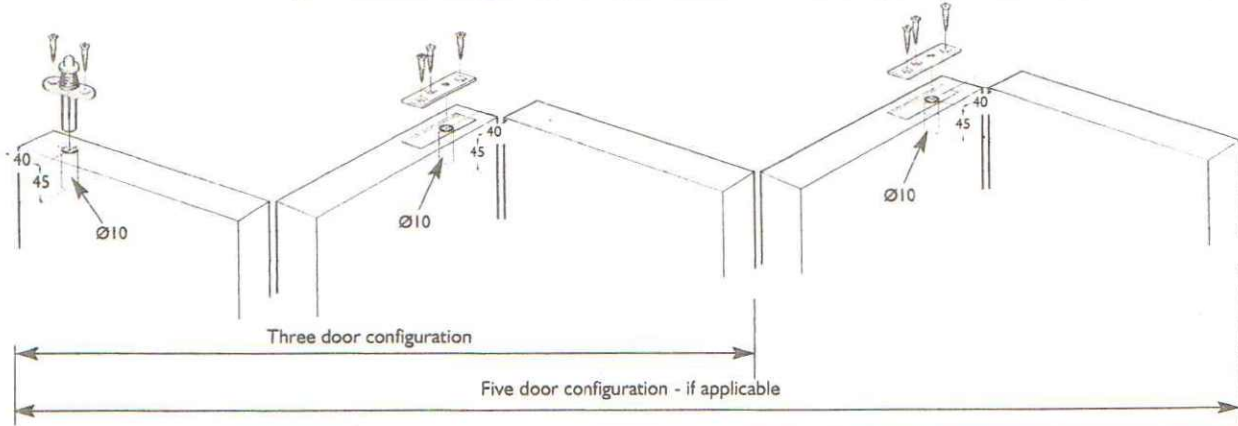
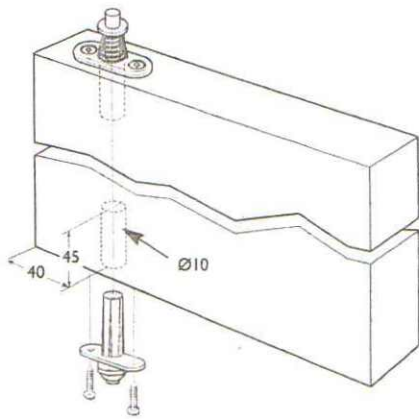


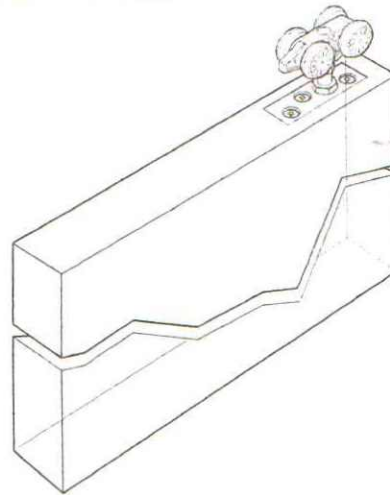
1. Position and secure pivot and hanger apron plates to suit the layout of the doors chosen.



2. Fit bottom pivot to door.



3. Fit hanger(s) to apron plate(s), to be securely fixed when adjustments have been made.



4. Position and secure hinges.

