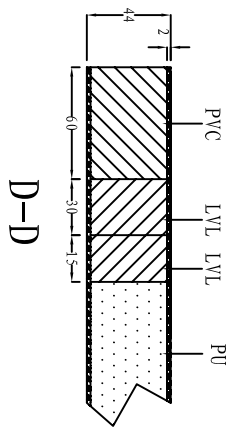
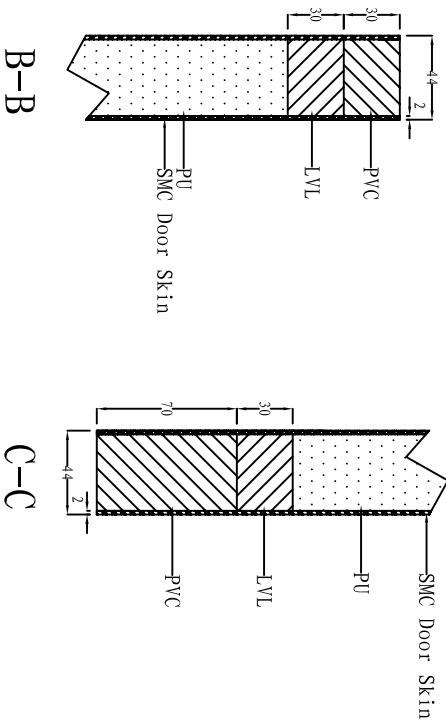
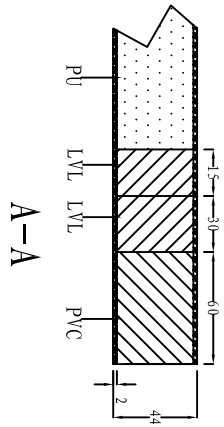


NOTICE: NO METAL IN THE DOOR



- ① FIBERGLASS SKIN—SHEET MOLDING COMPOUND (2 ± 0.2 (mm) NOMINAL THICKNESS)
- ② DOOR FRAME—INSIDE LAMINATED VENEER LUMBER—LAUAN
- ③ DOOR FRAME—OUTSIDE (POLYVINYL CHLORIDE)

## FIBERGLASS DOOR

7P

Drawer:	Leo Zhou
Date:	15/09/2015
Scale:	N.T.S.
Confidential documents Could not be communicated without our written permit Document could be updated	
1981x838x44 (mm)	
A4	