

STRAIGHTAWAY 50

TECHNICAL DATA (Fitting Instructions)

Coburn Sliding Systems Limited, Unit 1, Cardinal West, Cardinal Way, Godmanchester PE29 2XN
 Tel: +44 (0)20 8545 6680 Fax: +44 (0)20 8545 6720 , E-mail: sales@coburn.co.uk www.coburn.co.uk

MAXIMUM DOOR WEIGHT 50kg
MAXIMUM DOOR HEIGHT 2100mm

DOOR THICKNESS 20mm

TRACK LENGTH AND BRACKET SPACING

Track supplied in standard length 1800mm and 2400mm.

1-005/8 brackets are supplied in packs of 5 or 8 complete with all screws.

Aluminium channel (sold separately) 43-2 is supplied in 1800mm, 2100mm, and 2400mm.

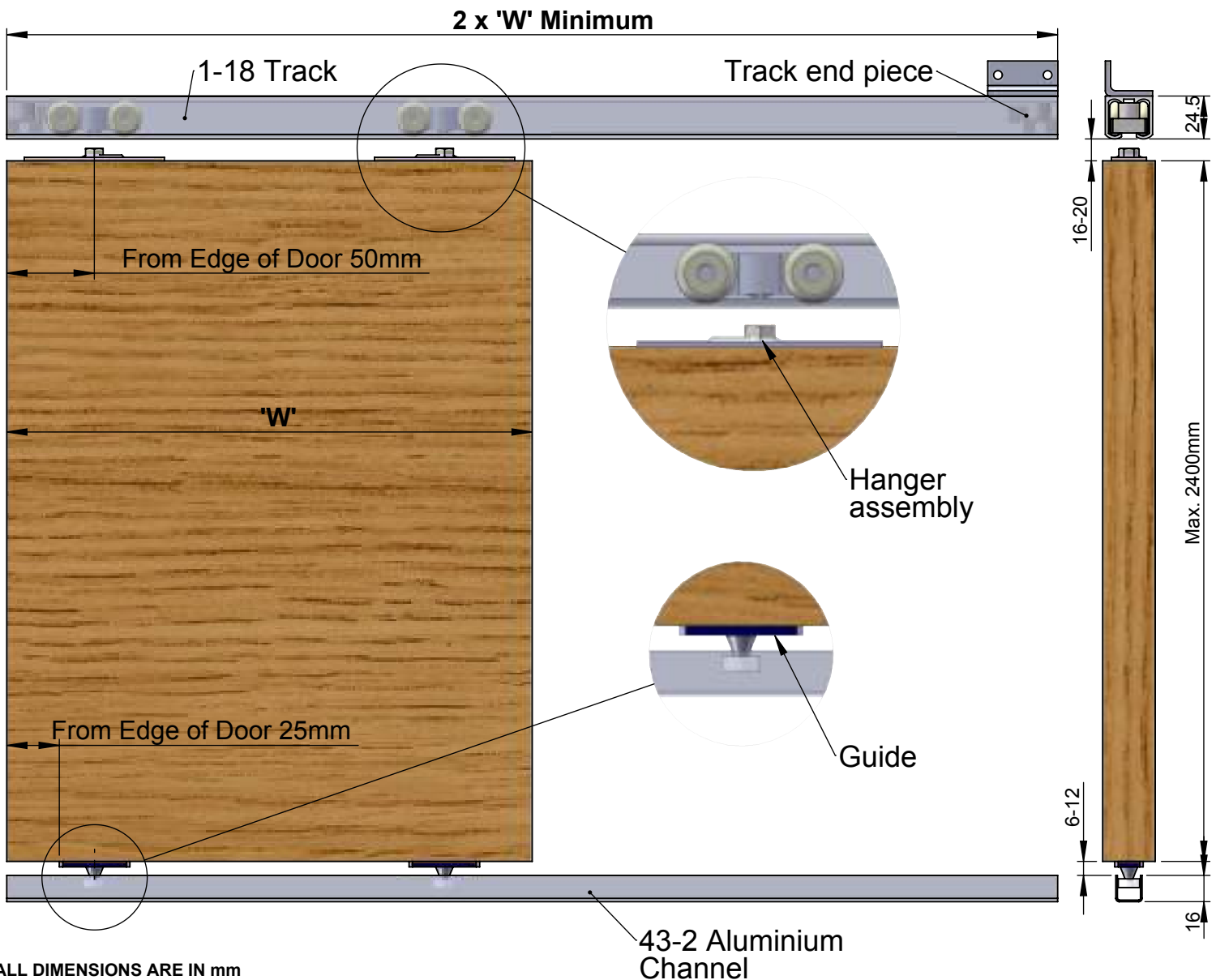
Alternative steel channel (sold separately) 42-1 is supplied in 1800mm, 2100mm, and 2400mm.

TRACKSET COMPONENTS	
01824	
Hanger Pack 01050	1
Bracket Pack 1-005, 1-008	1
Aluminium Track 11824	1

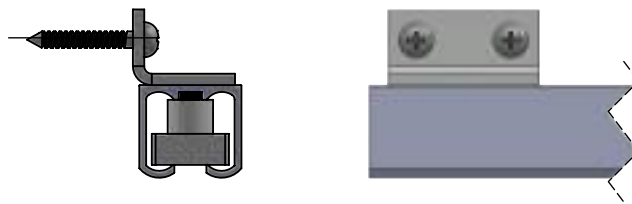
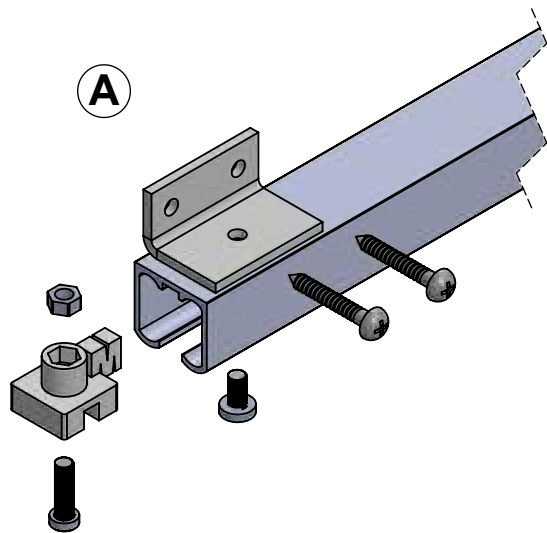
Note: Hanger Pack includes 2 hangers with nylon wheels and integral ball bearings, 1 pair of track end pieces, door guide, spanner and fitting instructions.

COMPONENTS SUPPLIED SEPARATELY

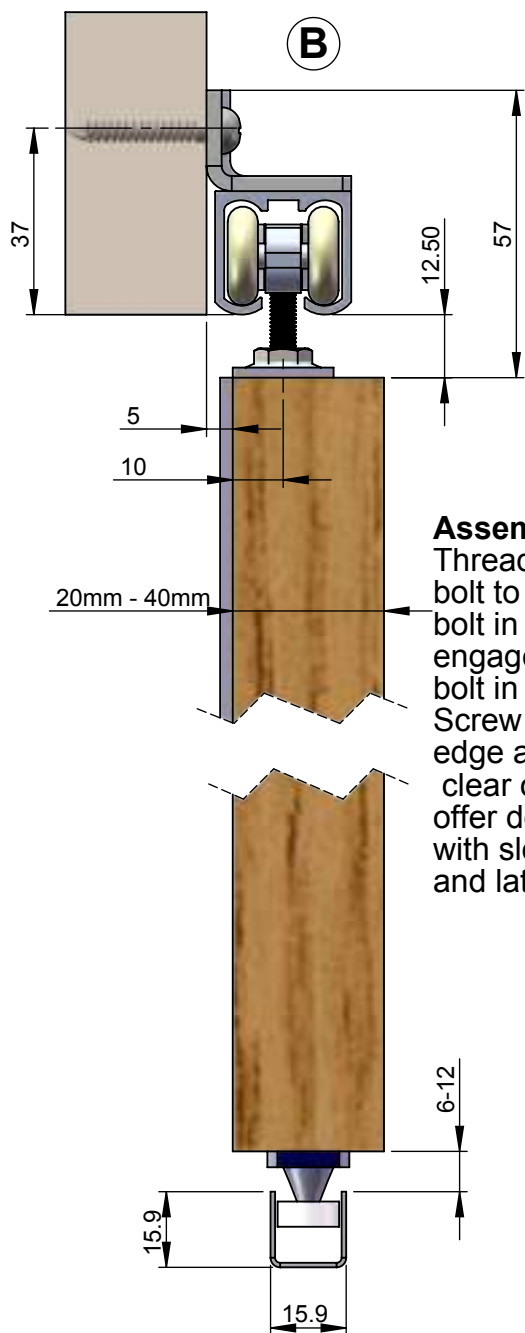
42-1 Steel Channel



ALL DIMENSIONS ARE IN mm



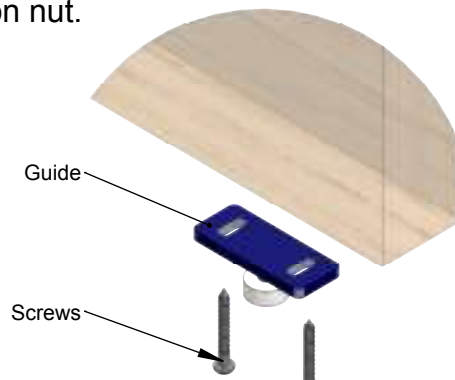
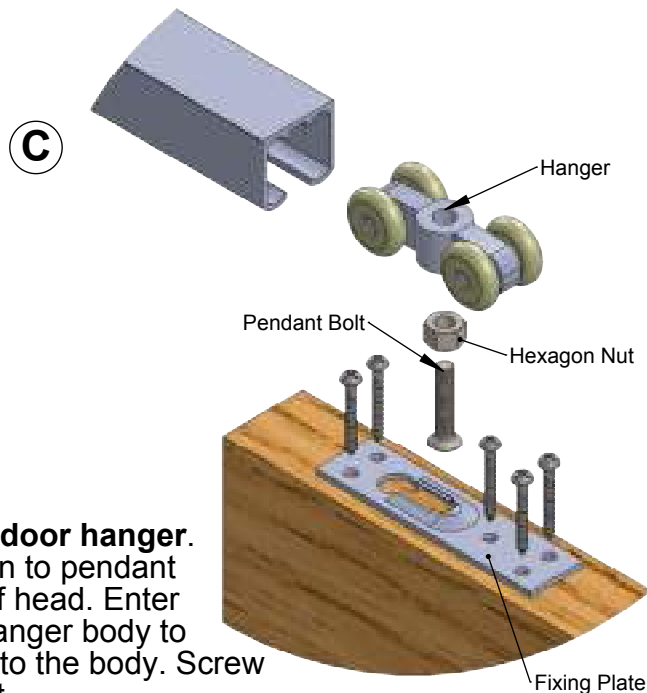
Drill $\text{Ø}5.5$ holes along the centre line of the track at approximately 600 to 900 centres.
 Assemble brackets to track as shown in 'A' before fixing onto wall.
 Insert hangers with pendant bolts into track (see 'B' or 'C') followed by assembly of the track end piece.



Assembly of Timber door hanger.

Thread hexagon nut on to pendant bolt to within 5.5mm of head. Enter bolt in under side of hanger body to engage with thread in to the body. Screw bolt in until clear of nut.

Screw door plate to door flush with inside edge and such that the screw holes are clear of stiles. With hangers in track, offer door up and engage pendant bolts with slots of door plate, adjust vertically and laterally then tighten hexagon nut.



44-373 door guide for internal doors over 1200mm wide. One at each end of door and running in 43-2 floor aluminium channel.

CAUTION: Do not wind the Pendant Bolt all the way past the top of the Hanger, as this will stop the system from working properly