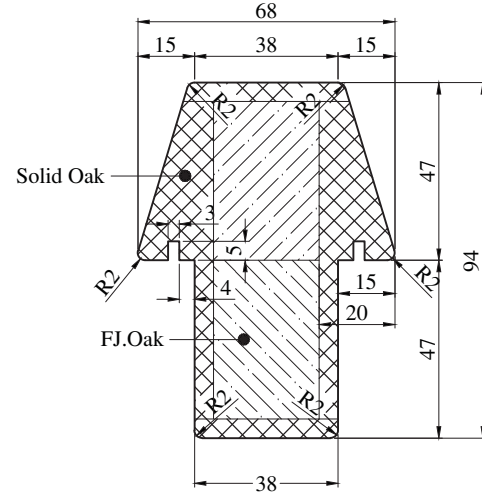
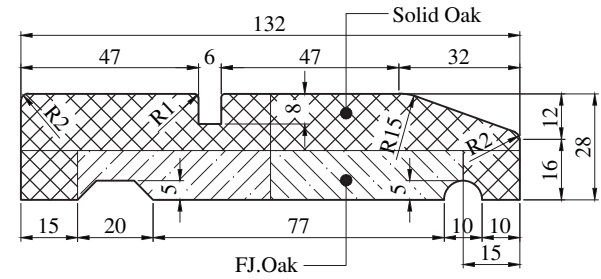


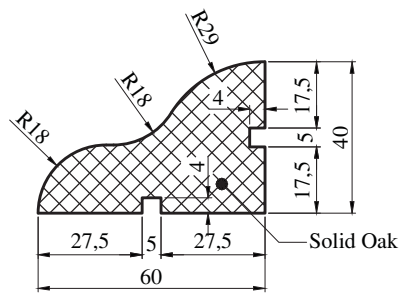
Door Frame
(L=2100 / 1050)



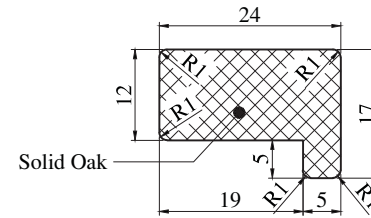
Mullion
(L=2100)



Cill



Weather Bar
(L=915)



Drip Bar
Scale 1:1