

How to order a JB Kind Pocket door system

Step by step guide

Step One:

Single or Double Pocket Door System

Check the pocket door size requirements against our size guide tables.

If a double pocket door is required, your customer will need to purchase two single pocket door systems and a double leaf conversion kit.

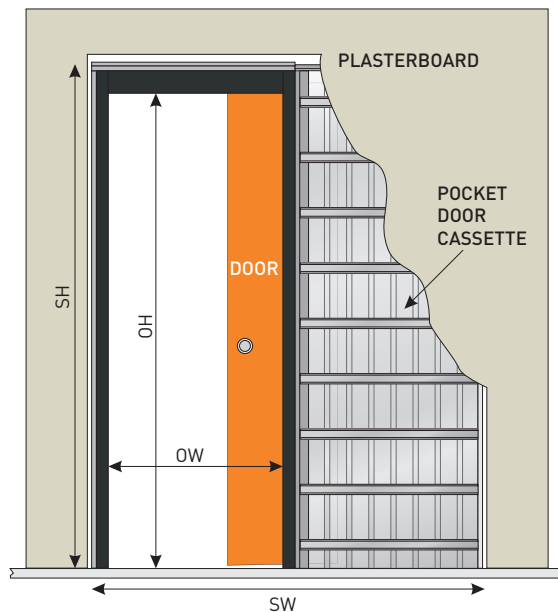
Single Pocket Door – Size Guide

mm	Door Size		Clear Opening Size (walkthrough area)		Structural Opening Size of the Unit		Finished Wall Thickness
	Width	Height	Width (OW)	Height (OH)	Width (SW)	Height (SH)	
Single pocket door system code							
POCSYSSGL686	686	1981	650	1970	1425	2075	125
POCSYSSGL762	762	1981	740	1970	1625	2075	125
POCSYSSGL838	838	1981	800	1970	1725	2075	125
POCSYSSGL915	915	1981	890	1970	1925	2075	125

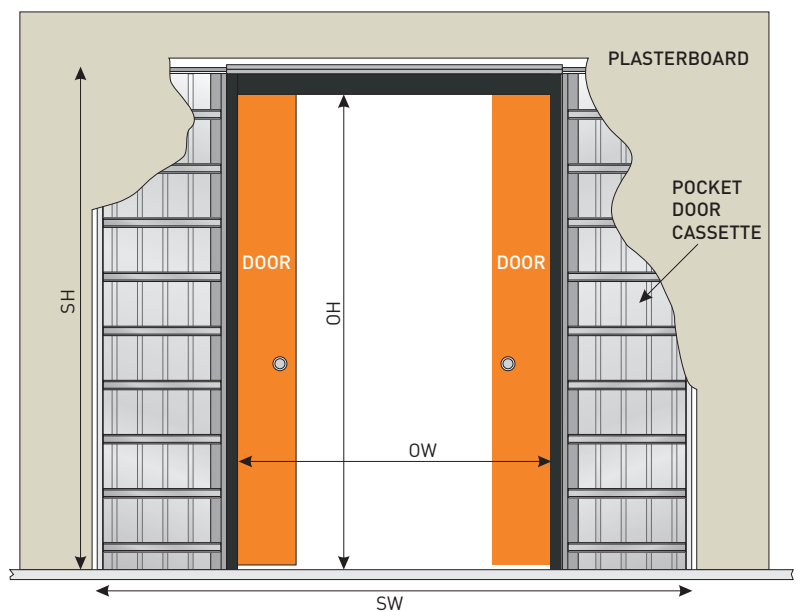
Double Pocket Door – Size Guide

mm	Door Size (individual)		Clear Opening Size (walkthrough area)		Structural Opening Size of the Unit		Finished Wall Thickness
	Width	Height	Width (OW)	Height (OH)	Width (SW)	Height (SH)	
Double leaf conversion kit code							
DBLLEAFKIT686	686	1981	1300	1970	2742	2075	125
DBLLEAFKIT762	762	1981	1500	1970	3142	2075	125
DBLLEAFKIT838	838	1981	1600	1970	3342	2075	125
DBLLEAFKIT915	915	1981	1800	1970	3742	2075	125

Single Pocket Door



Double Pocket Door



How to order a JB Kind Pocket door system... continued

Step Two: Door design

The majority of our door designs are suitable for use as pocket doors. However, there are a few styles that have raised mouldings which aren't suitable. If you're in any doubt, please call us **01283 554197**.

Note: 44mm FD30 fire doors do not fit within our pocket systems.

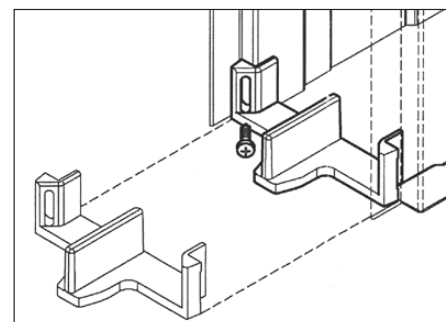
Step Three: Timber accessory kits

JB Kind pocket door systems cannot be installed without a Timber Accessory Kit. Choose from either white primed or varnished oak, available for both single and double pocket door systems.

	Code
White primed – single pocket door kit	SGLWPRIAC
White primed – double pocket door kit	DBLWPRIAC
Oak varnished – single pocket door kit	SGLVOAC
Oak varnished – double pocket door kit	DBLVOAC

Step Four: Door Grooving

The bottom edge of the door needs to be grooved to fit in the floor guide of a pocket system. JB Kind's in-house joinery workshop can pre-groove doors prior to delivery, for a small additional charge.



Step Five: Optional accessories

Door Furniture: choose from a flush door pull or privacy bathroom lock.

Automatic Door Closer: a self-closing system that allows the door to glide into place automatically after being opened.

Double simultaneous operator: with just one touch, both doors will open and close simultaneously.

Soft close damper unit: this accessory applies a brake making sure that the door moves slowly and smoothly to a close.



	Code
Soft close damper unit	SCDAMPER
Automatic door closer	ACLOSER
Double simultaneous operator	DBLSIMOP
Flush Door Pull Pack (satin stainless steel, includes 2 circular flush pulls and a round finger pull for the door edge)	CIRCPULL
Bathroom Door Hook Lock Pack (satin stainless steel, includes turn and release, hook latch, adjustable keep and finger pull)	CIRCBATHLOCK

Step Six: Place your order

If you have any questions, please contact us by emailing orders@jbkind.com or call the Sales Team on **01283 554197**.